

**DECK-MOUNTED WASHBASIN MIXERS: INSTALLATION AND MAINTENANCE INSTRUCTIONS**  
**MISCELATORI DA LAVABO DA PIANO: ISTRUZIONI PER L'INSTALLAZIONE E LA MANUTENZIONE**  
**MITIGEURS DE LAVABO SUR PLAN: INSTRUCTIONS D'INSTALLATION ET ENTRETIEN**  
**WASCHTISCHARMATUREN FÜR RANDMONTAGE: INSTALLATIONS- UND WARTUNGSANLEITUNG**  
**GRIFERÍA DE LAVABO PARA MONTAJE EN SUPERFICIE: INSTRUCCIONES DE INSTALACIÓN Y MANTENIMIENTO**

Page 2-3



RE001



RE001H



RE008

Page 4-5



RE004



RE004H

Page 6-7



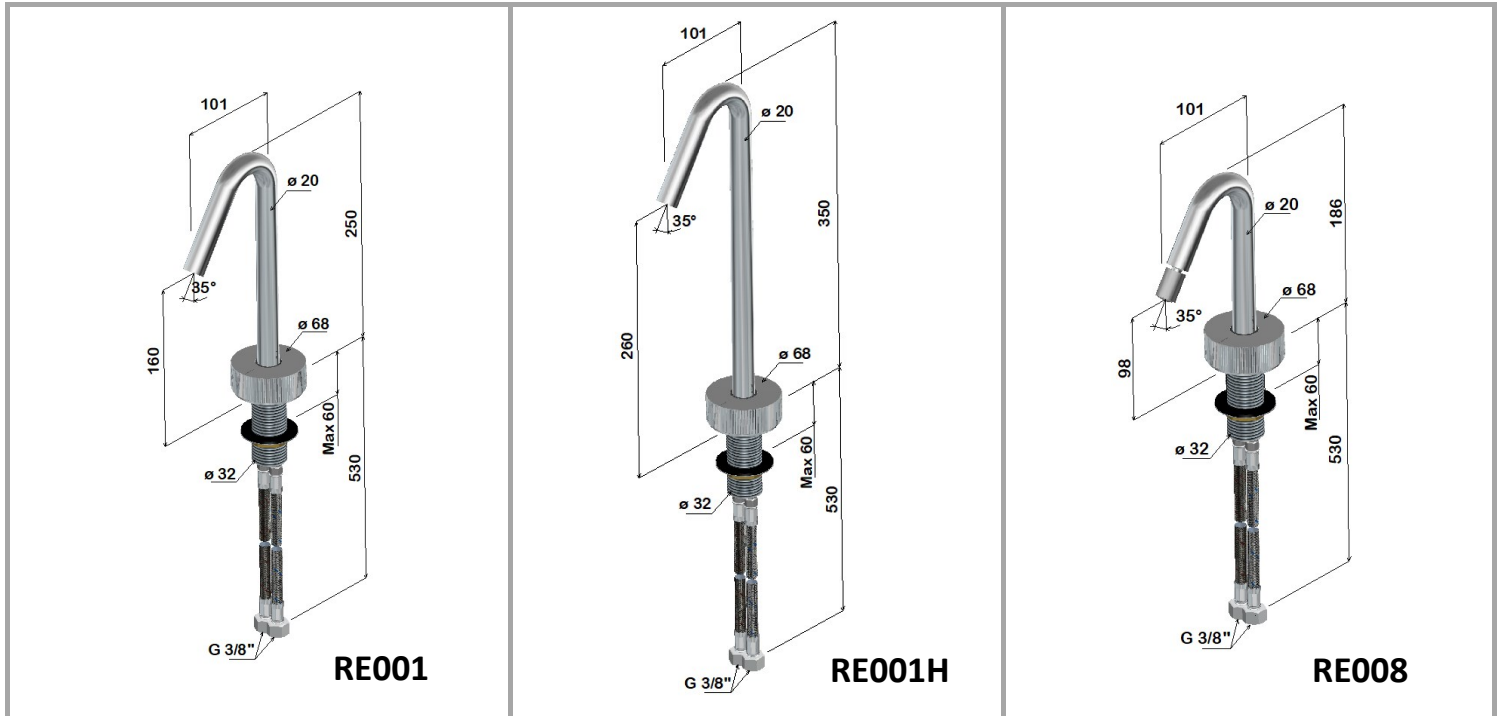
RE005

**BEFORE STARTING - PRIMA DI INIZIARE - AVANT DE COMMENCER - VOR DEM START - ANTES DE EMPEZAR**

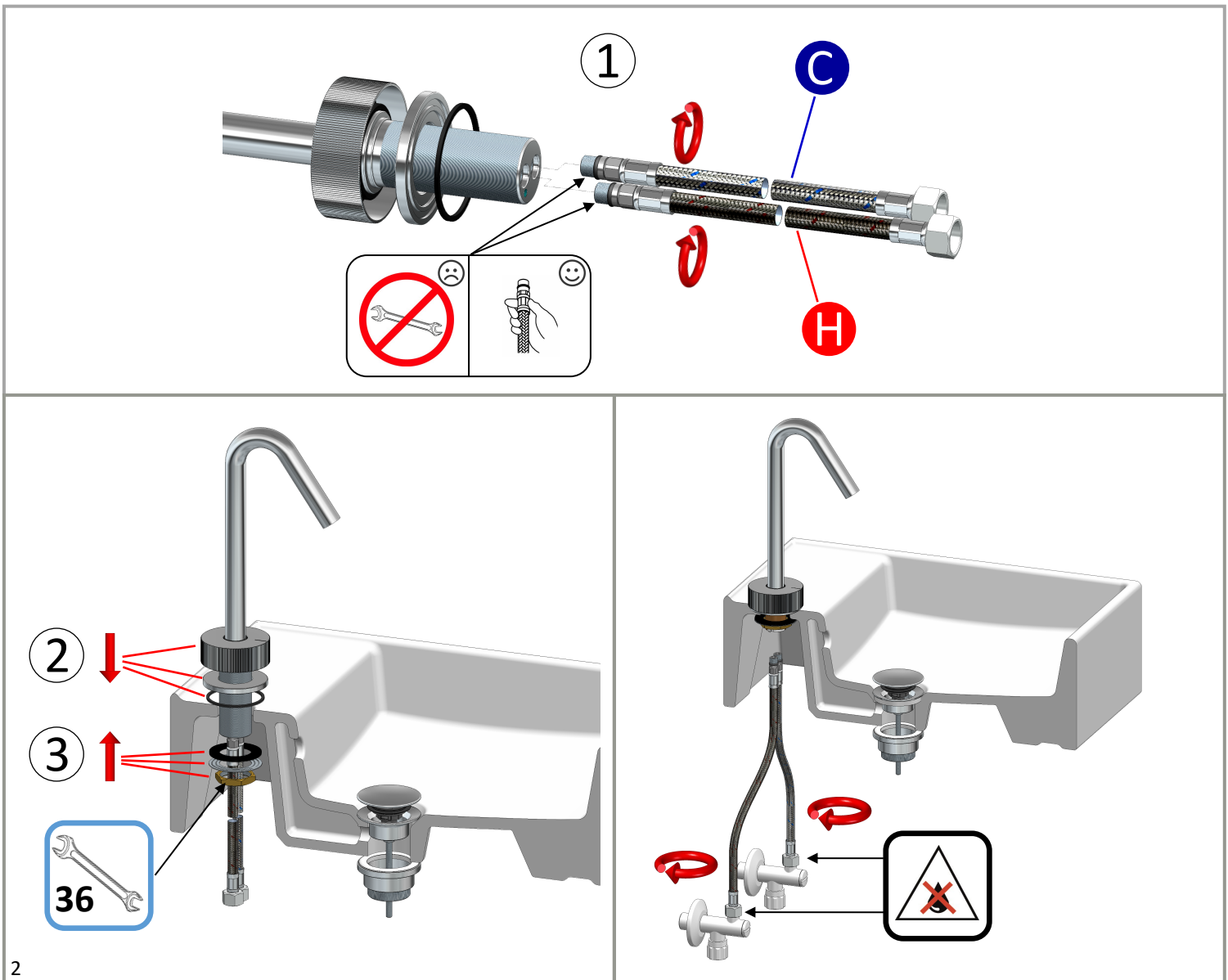
<p><b>P</b> bar</p>	<p>MAX 5 MIN 1</p>	<p>3</p>		<p>FILTER TAPS RECOMMENDED</p>
<p><b>T</b> °C</p>	<p>MAX 70</p>	<p>60 45</p>		

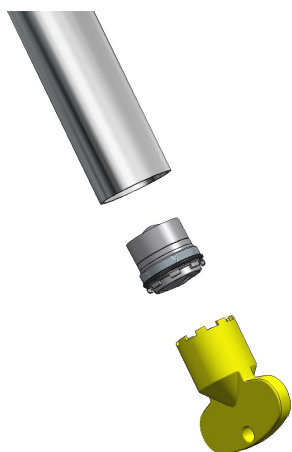
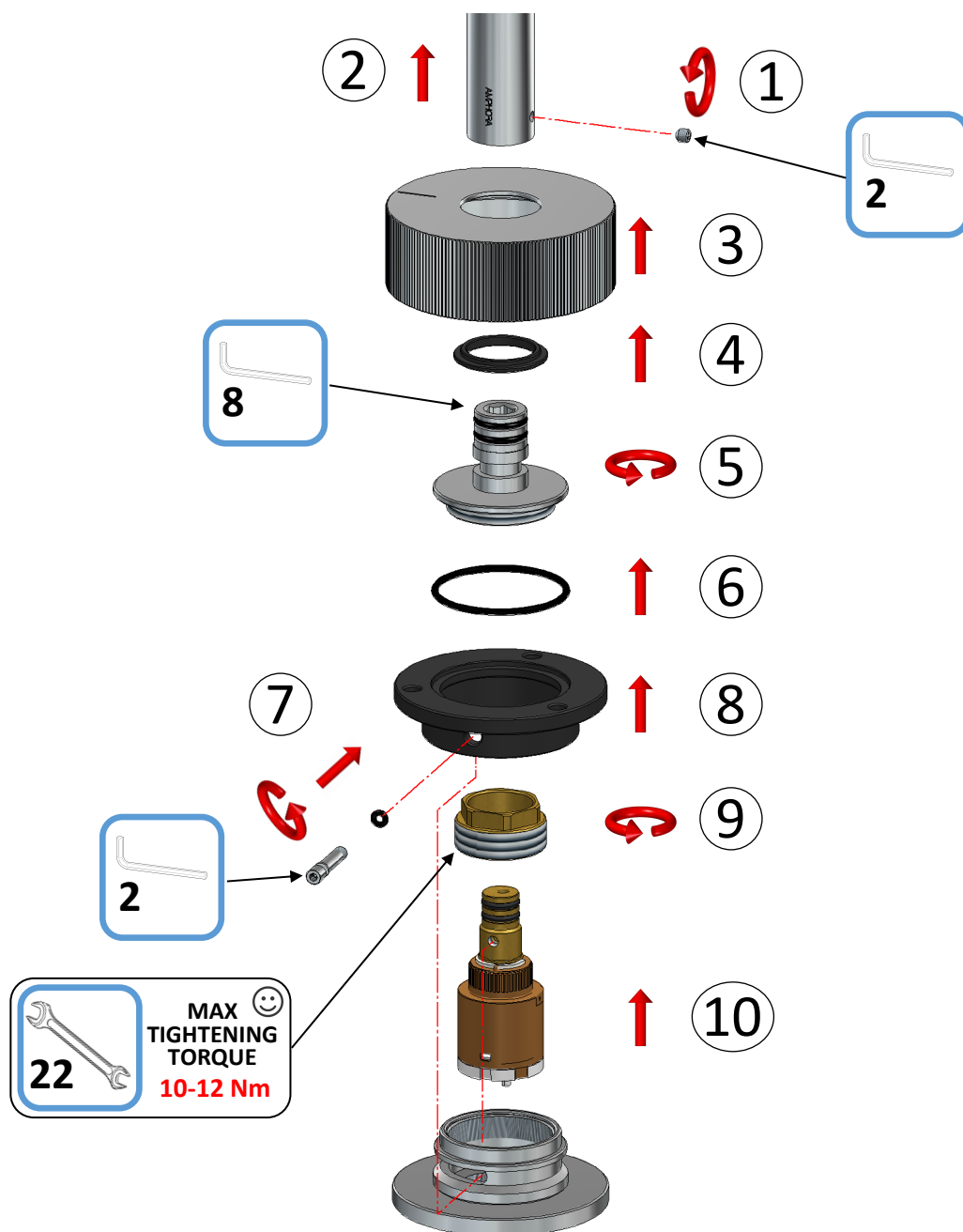
# RE001 - RE001H - RE008

MEASUREMENTS - QUOTE - MESURES - MASSNAHMEN - MEDIDAS

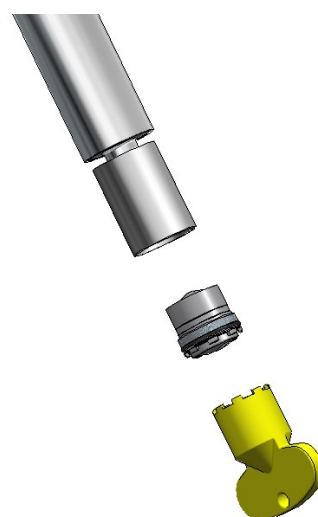


INSTALLATION - INSTALLAZIONE - INSTALLATION - INSTALLATION - INSTALACIÓN





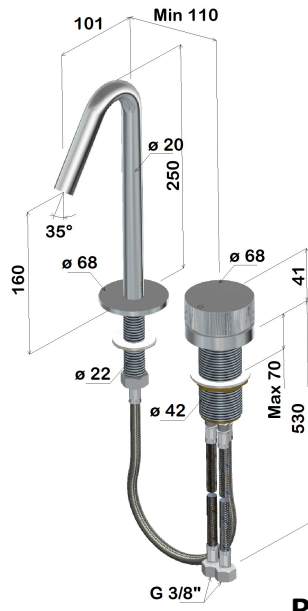
RE001 / RE001H



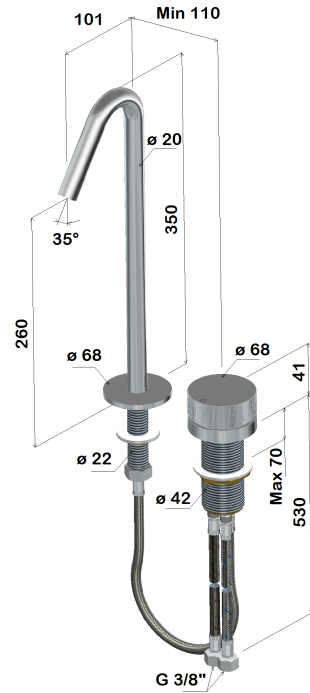
RE008

# RE004 - RE004H

MEASUREMENTS - QUOTE - MESURES - MASSNAHMEN - MEDIDAS

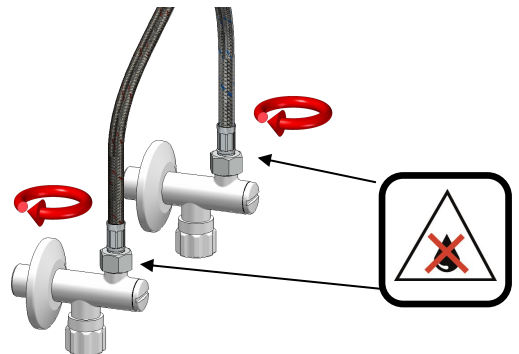
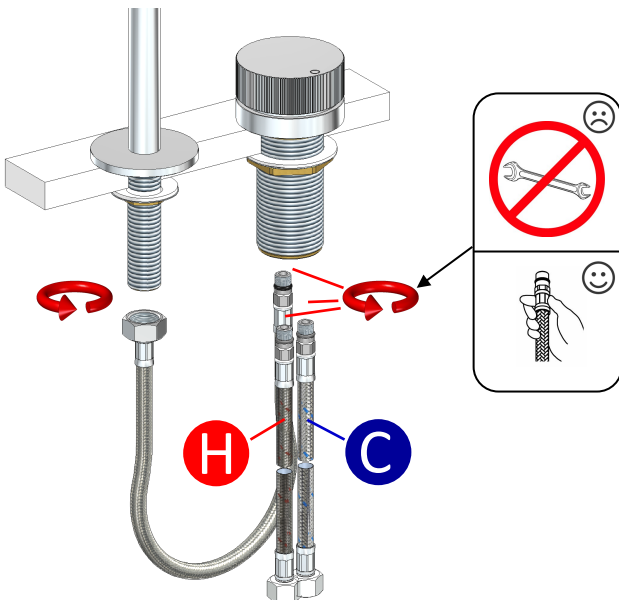
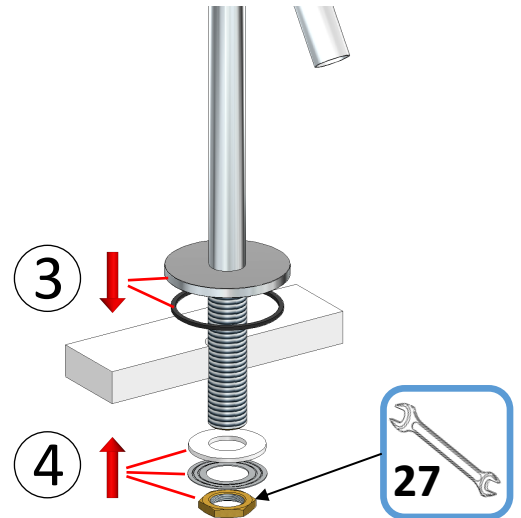
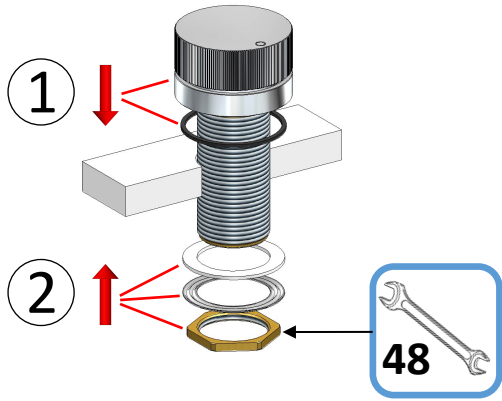


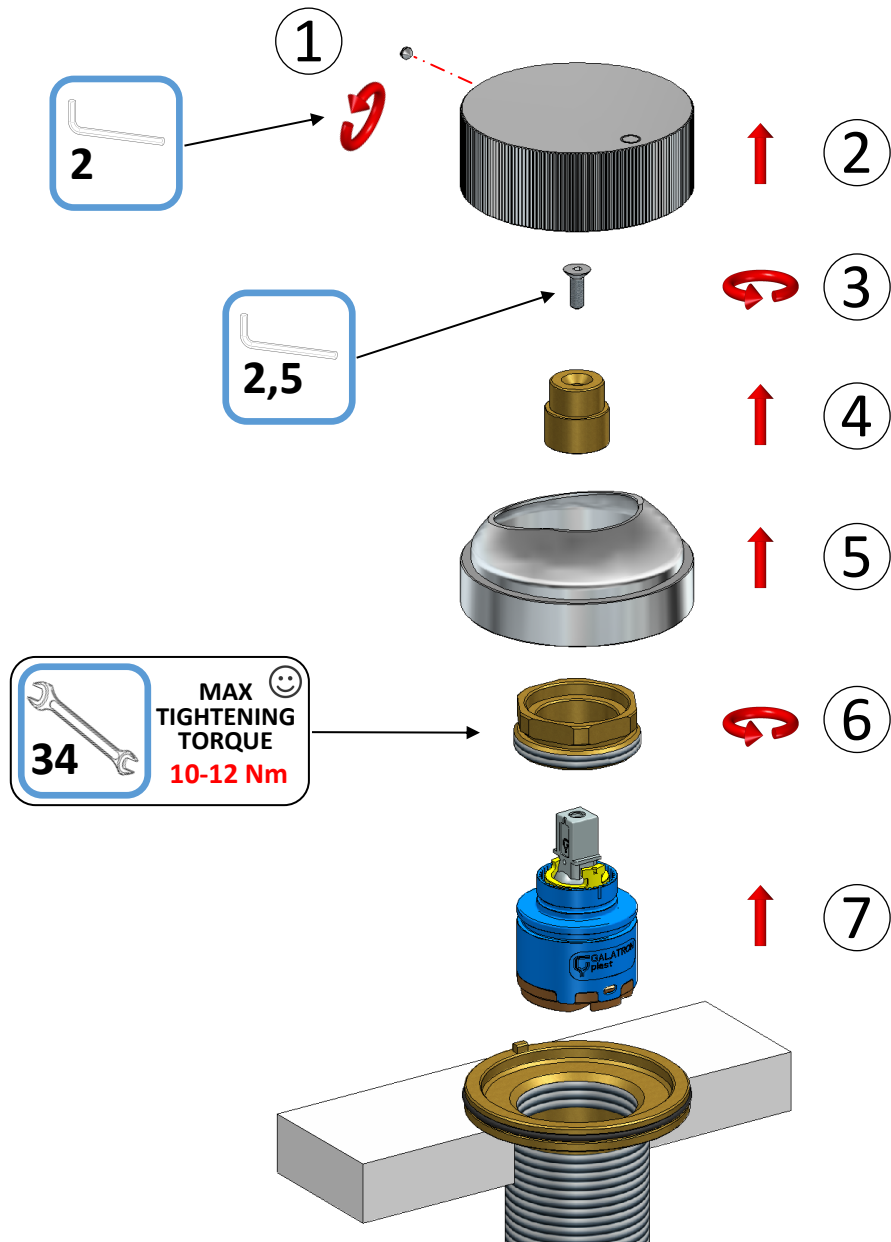
RE004



RE004H

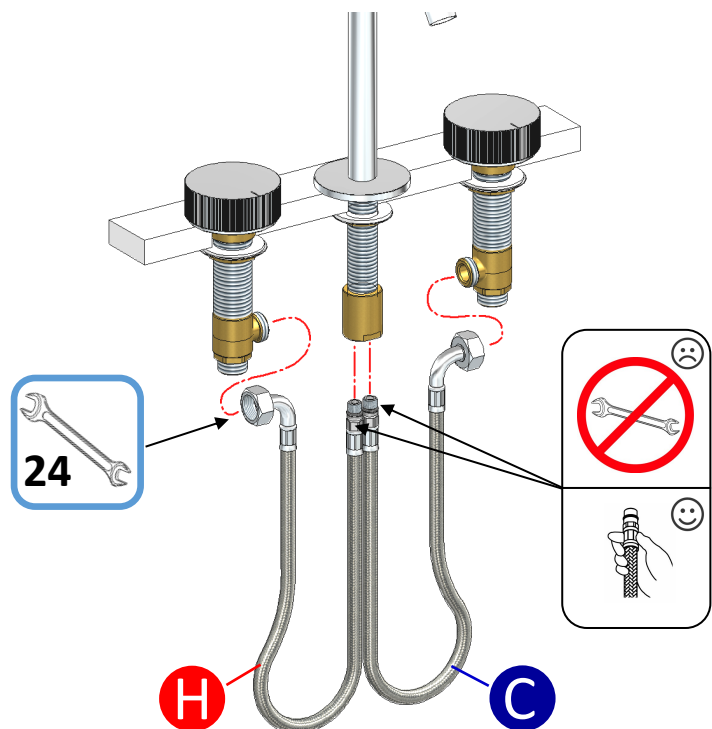
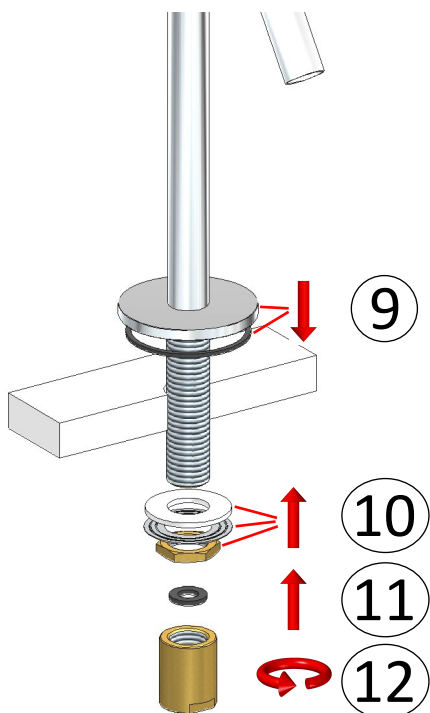
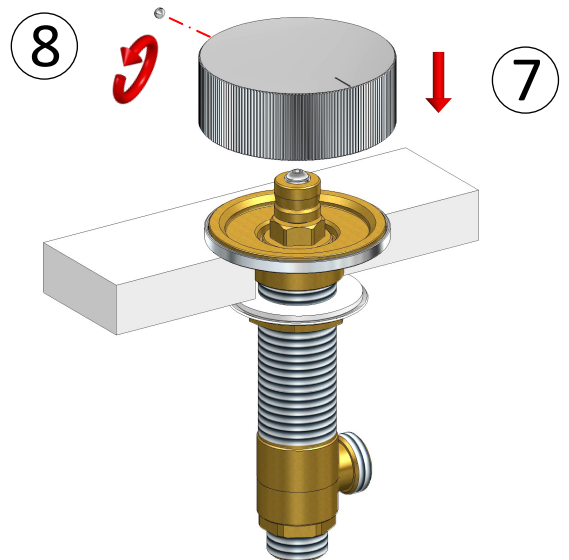
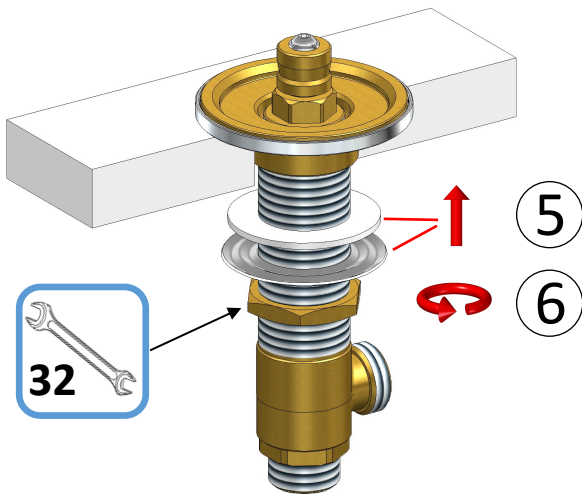
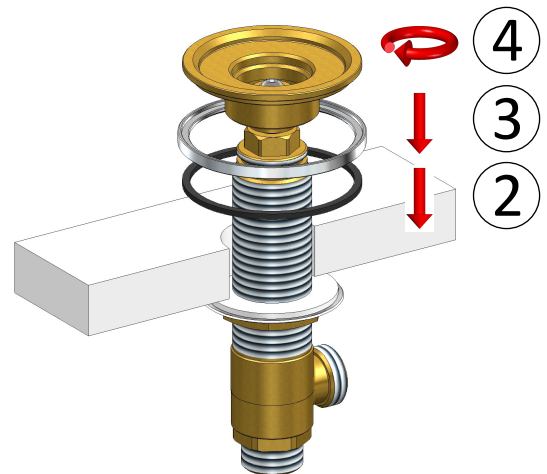
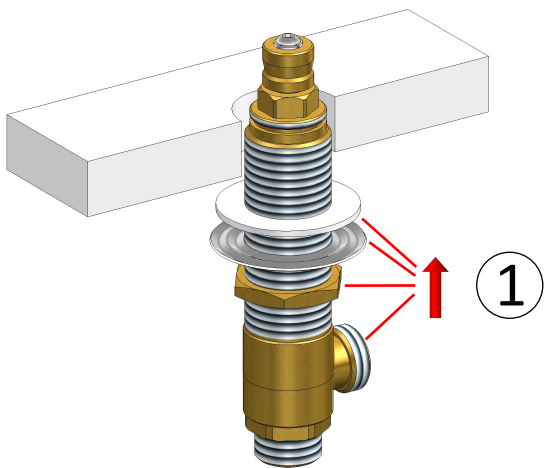
## INSTALLATION - INSTALLAZIONE - INSTALLATION - INSTALLATION - INSTALACIÓN

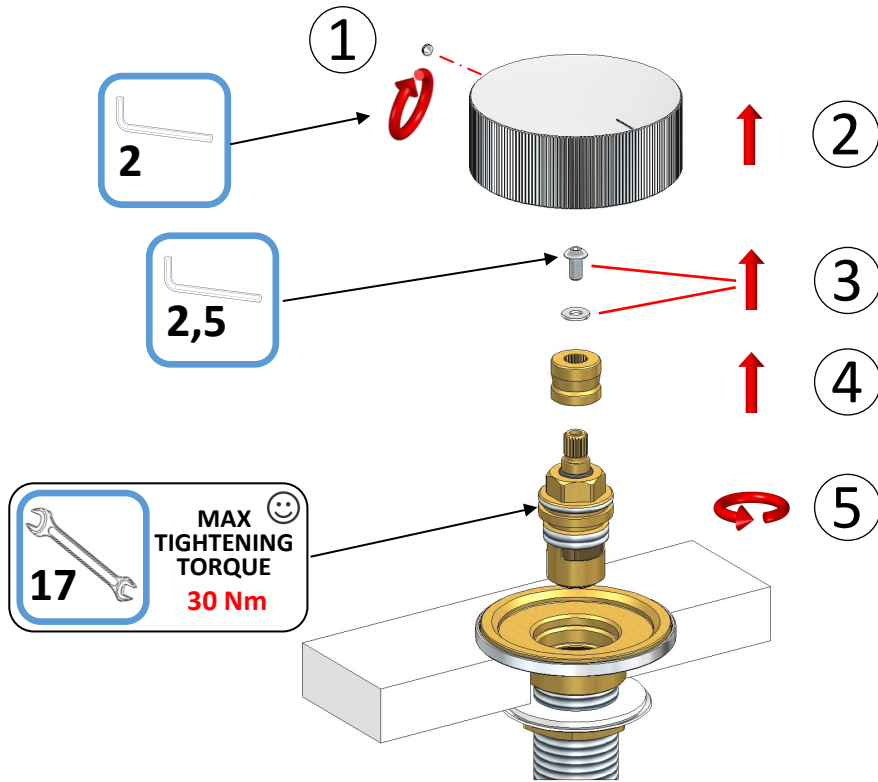




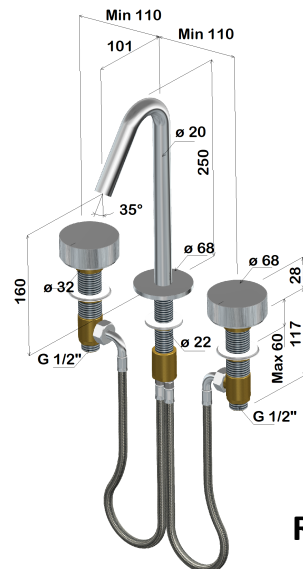
# RE005

INSTALLATION - INSTALLAZIONE - INSTALLATION - INSTALLATION - INSTALACIÓN























MEASUREMENTS - QUOTE - MESURES - MASSNAHMEN - MEDIDAS



RE005



# CLEANING - PULIZIA - NETTOYAGE - REINIGUNG - LIMPIEZA

Finish		✓			✗	
<b>BS</b> Brushed Steel 316 stainless steel 						
	WATER ✓	LIQUID SOAP ✓	SMOOTH CLOTH ✓	ACID/ABRASIVE DETERGENT ✗	ABRASIVE SPONGE ✗	
<b>BB</b> Brushed Black PVD finish 						
	WATER ✓	LIQUID SOAP ✓	SMOOTH CLOTH ✓	ACID/ABRASIVE DETERGENT ✗	ABRASIVE SPONGE ✗	
<b>BC</b> Brushed Copper PVD finish 						
	WATER ✓	LIQUID SOAP ✓	SMOOTH CLOTH ✓	ACID/ABRASIVE DETERGENT ✗	ABRASIVE SPONGE ✗	

AMPHORA  
WATER SOURCE

Via dello Statuario 15  
 I-55045 Pietrasanta - Italy  
 info@amphoradesign.it